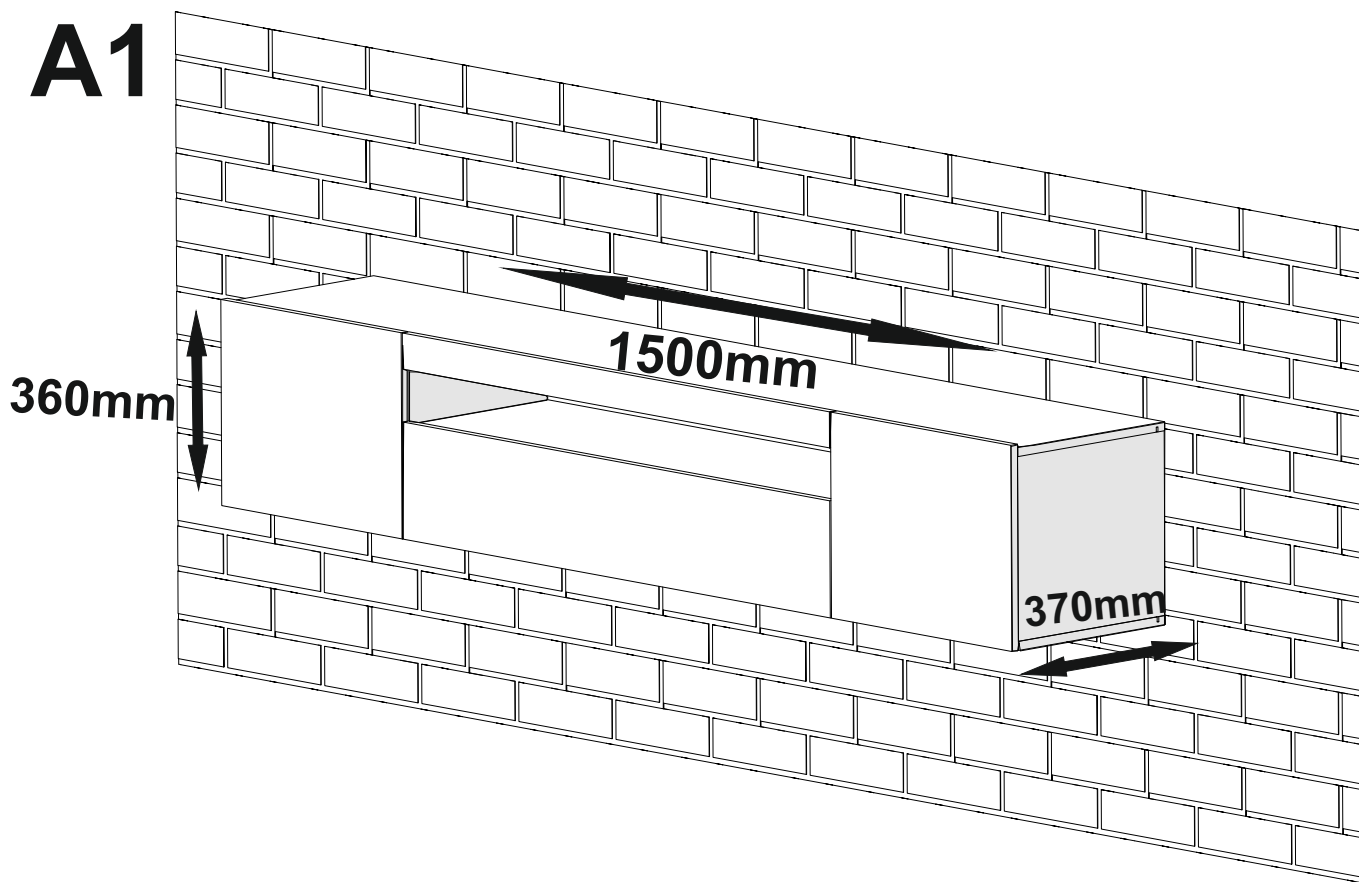
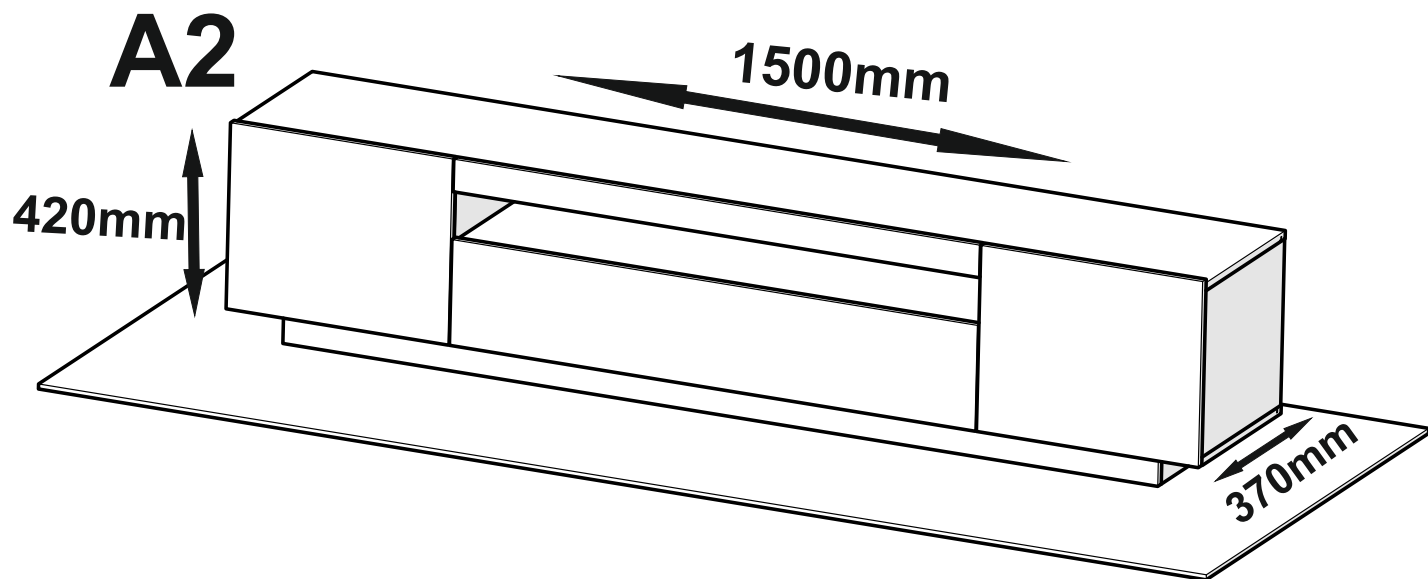
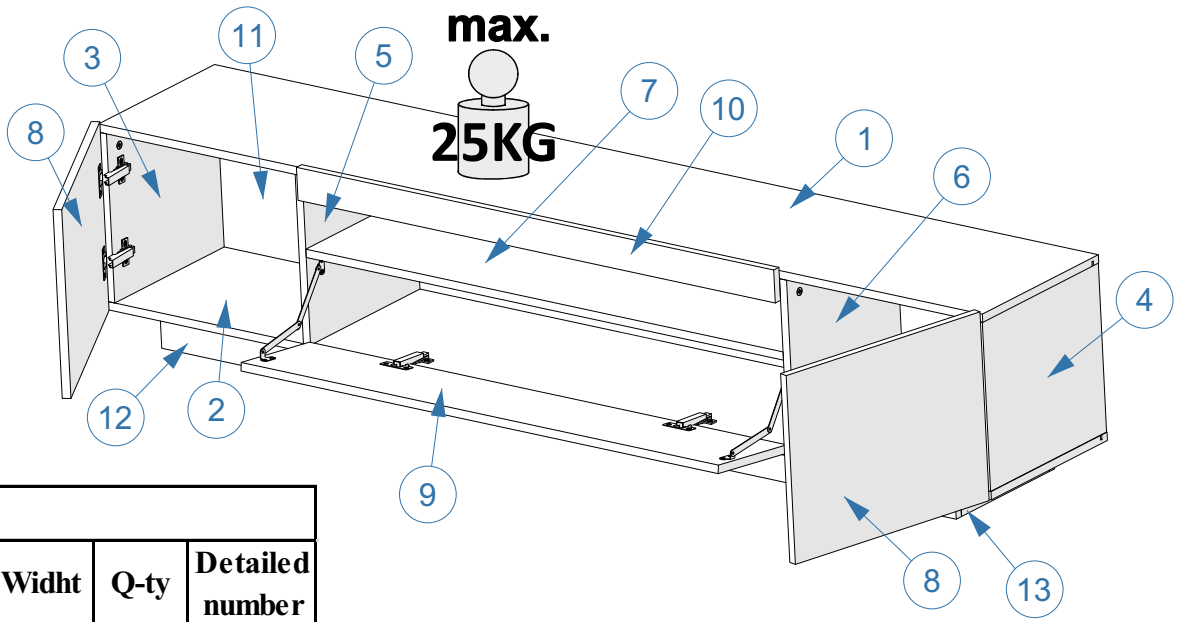
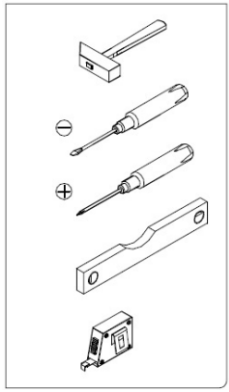


A1

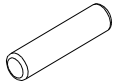
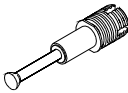
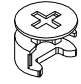



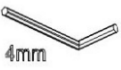


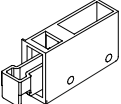
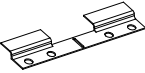
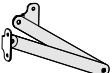
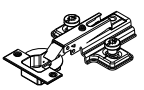

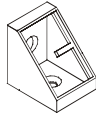

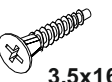
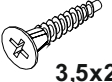
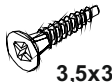


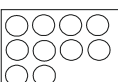
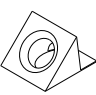



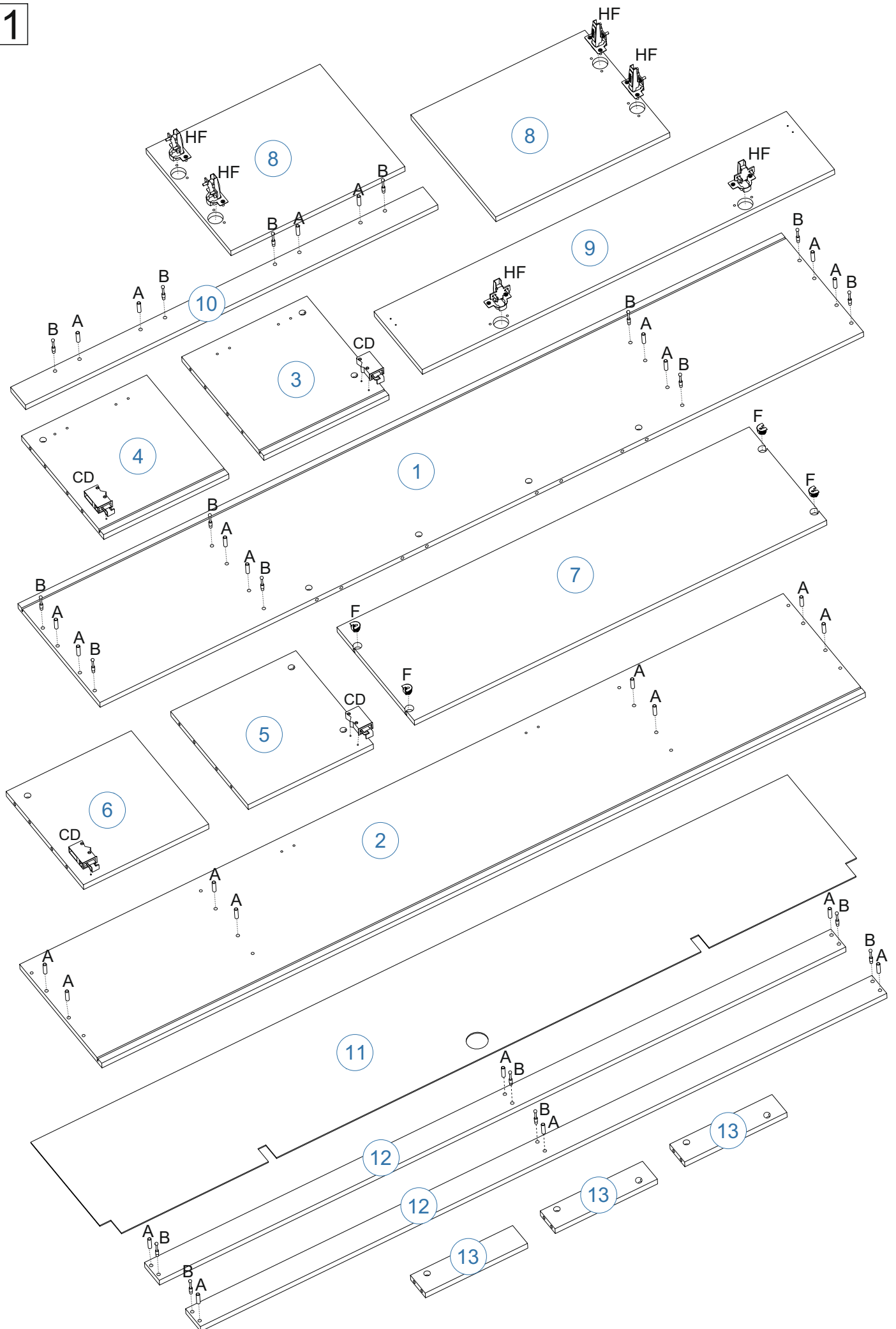
A2



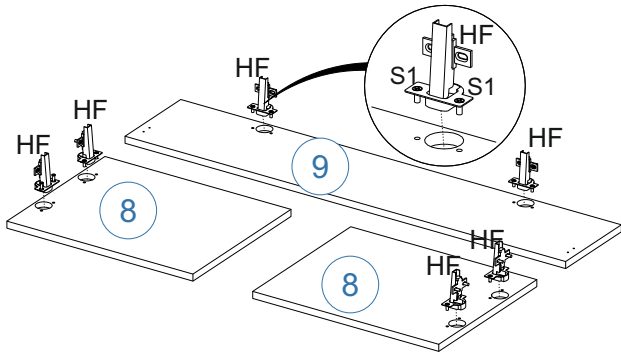


| Part number | Lenght | Widht | Q-ty | Detailed number |
|-------------|--------|-------|------|-----------------|
| Pack 1 | 580 | 206 | 1 | 10 |
| | 1500 | 354 | 1 | 1 |
| | 1500 | 354 | 1 | 2 |
| | 1298 | 64 | 2 | 12 |
| | 580 | 334 | 1 | 7 |
| | 1482 | 344 | 1 | 11 |
| | 328 | 354 | 1 | 3 |
| | 328 | 354 | 1 | 4 |
| | 328 | 334 | 1 | 5 |
| | 328 | 334 | 1 | 6 |
| | 456 | 366 | 2 | 8 |
| | 268 | 64 | 3 | 13 |
| | 580 | 64 | 1 | 10 |
| | | | | |

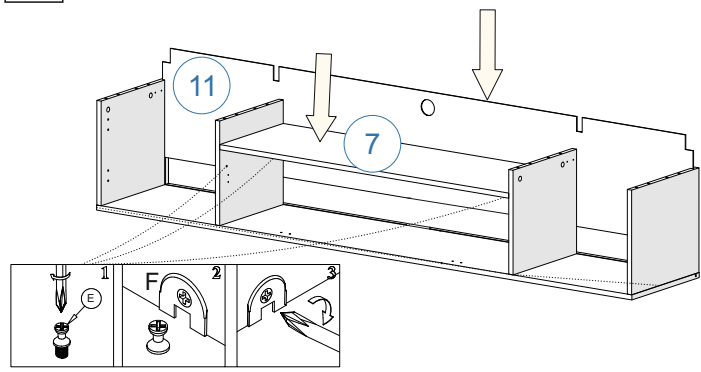
| | | | | | | | |
|---|---|---|---|---|---|---|---|
|  |  |  |  |  |  |  |  |
| A - 26 | B - 18 | C - 18 | D - 28 | E - 4 | F - 4 | I - 1 | LN - 10 |
|  |  |  |  |  |  |  |  |
| K - 9 | CD - 4 | CH - 2 | ZS - 2 | HF - 6 | SH - 12 | J - 8 | M - 8 |
|  |  |  |  |  |  |  |  |
| S1 - 44 | S2 - 22 | S4 - 8 | SW - 8 | W - 8 | AT - 10 | R - 12 | |



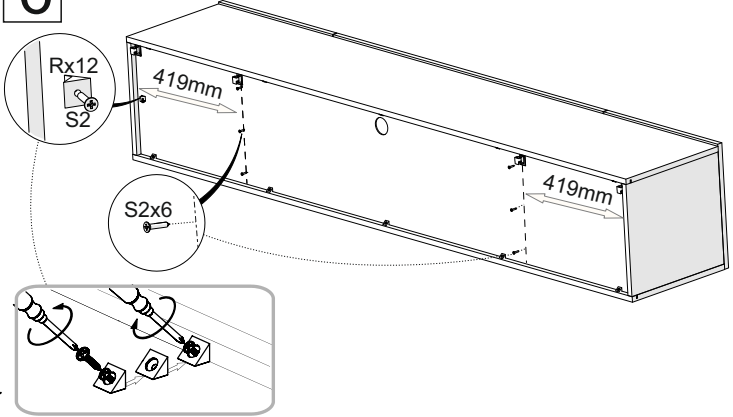
2



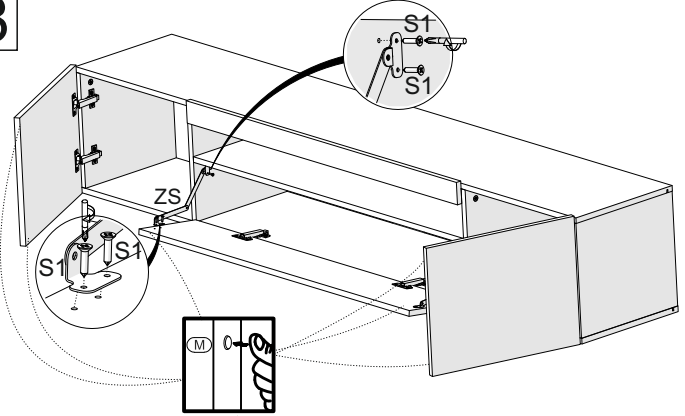
4



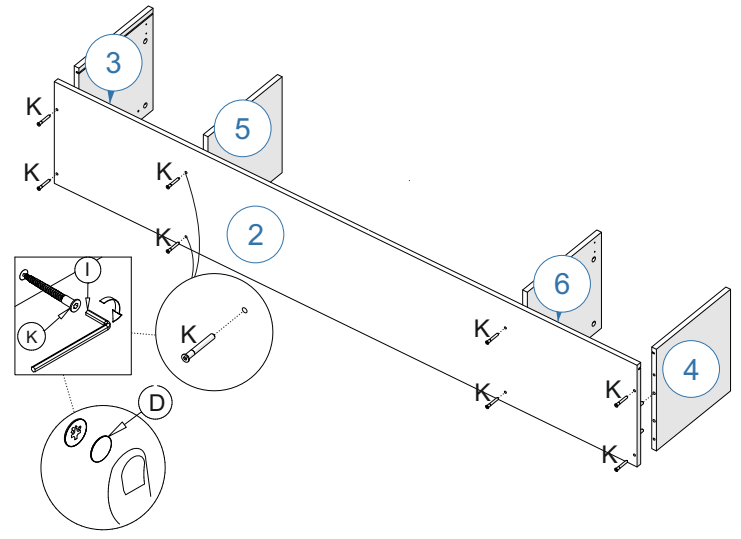
6



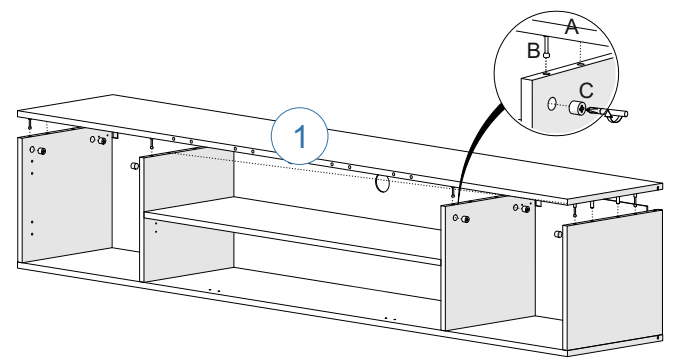
8



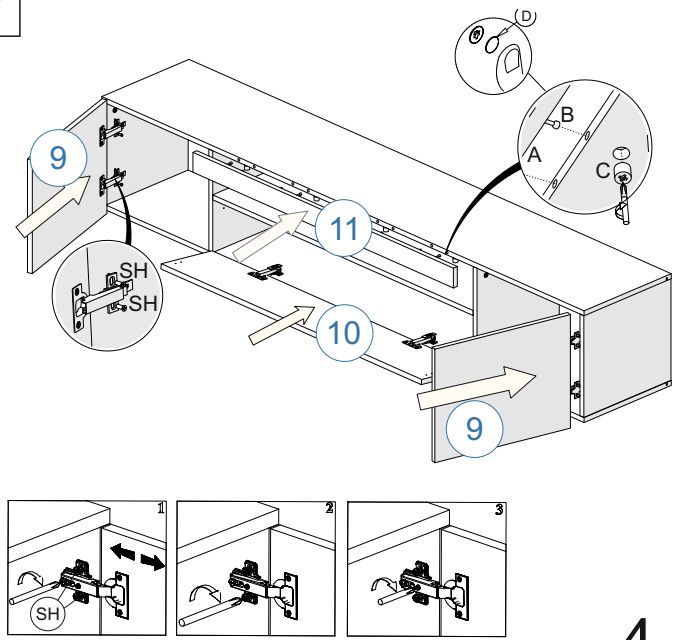
3



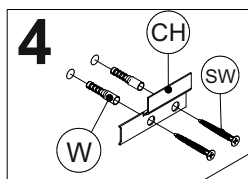
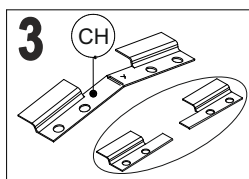
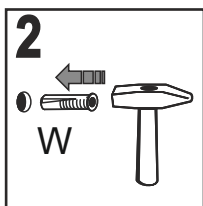
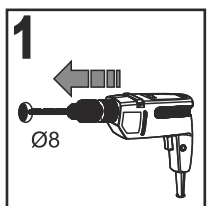
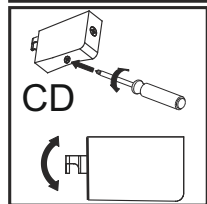
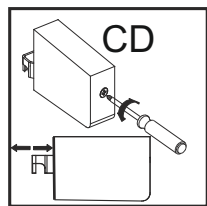
5



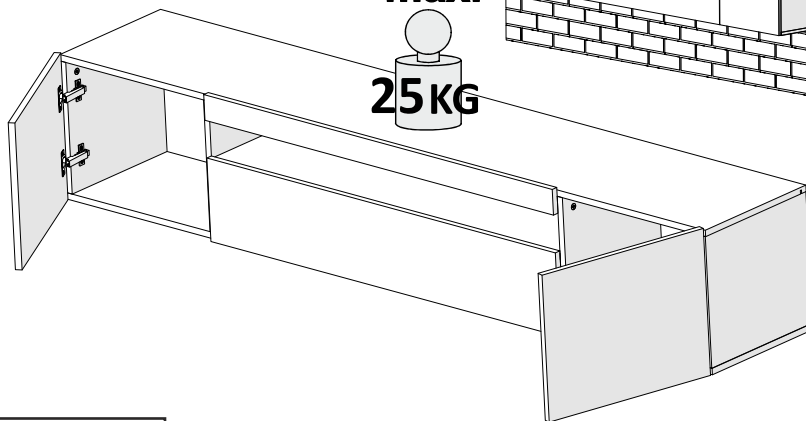
7



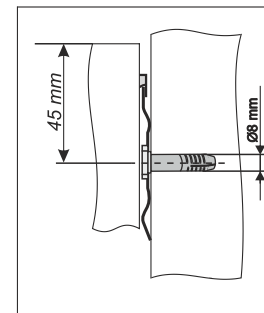
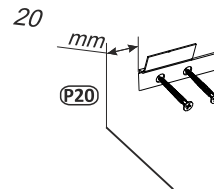
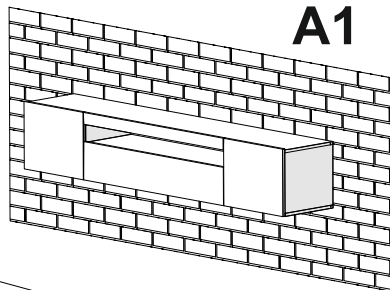
9



max.
25 KG

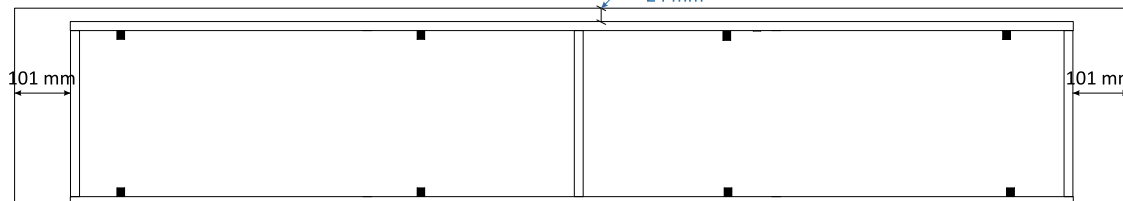
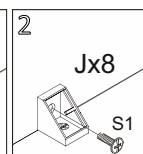
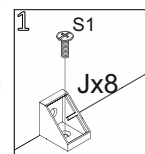
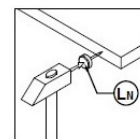
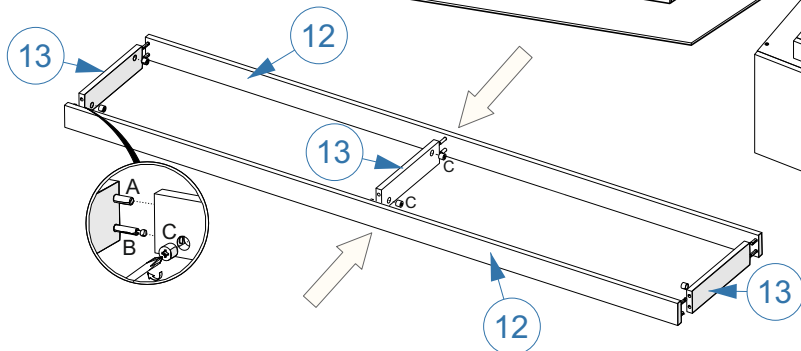
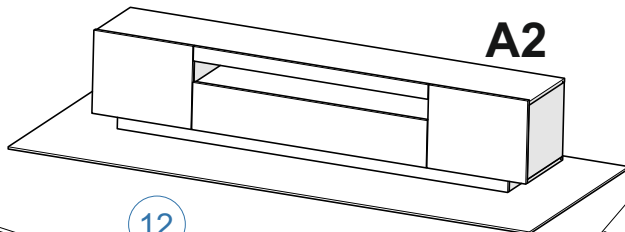


A1

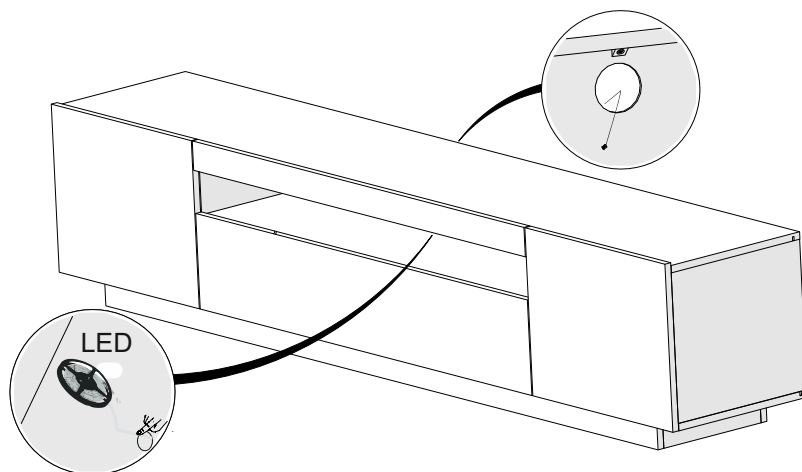


10

A2



11



1x
L=850mm

